

M21SV-1-C1CW / C2CW / E3CW Motorized Ball Valve

1" NPT

110 to 240 VAC

Stainless Steel Body with FKM seals

2-Way

0 to 175 psi

2 and 3-wire versions available

Ehcotech M21SV-series valves are general purpose 2-way, 2-position motorized ball valves with a 2 or 3-wire 110 to 240 VAC actuators. They are well suited for gravity feed applications as well as pressurized systems providing practically unrestricted flow in the open position and positive shut off under any pressure in the closed position.



Valve Body

- 1" NPT Female Threads
- 0 to 215 PSI (0 to 15 BAR) pressure rating
- 265° F (130° C) max media temp
- Stainless Steel (SS304) valve body
- Stainless Steel (SS304) ball
- PTFE primary seals / FKM secondary seals

Valve Actuator

- 110 to 240 VAC 50/60Hz with automatic voltage detection
- 8 Watt maximum power draw
- Standard cable length: 20"
- CE conformity
- IP 65 protection rating
- Valve position indicator window
- Limit switches stop current flow to motor at open/closed positions
- Cycle time: 4 seconds
- Stainless Steel gears

Available Versions

- M21SV-1-C1CW = Normally Closed (NC) version, 2-wire
- M21SV-1-C2CW = Normally Open (NO) version, 2-wire
- M21SV-1-E3CW = 3-wire version (power driven in both directions, no capacitor return)

Suitable Media

- Water
- Air
- Other inert gases
- Other low viscosity liquids compatible with valve materials

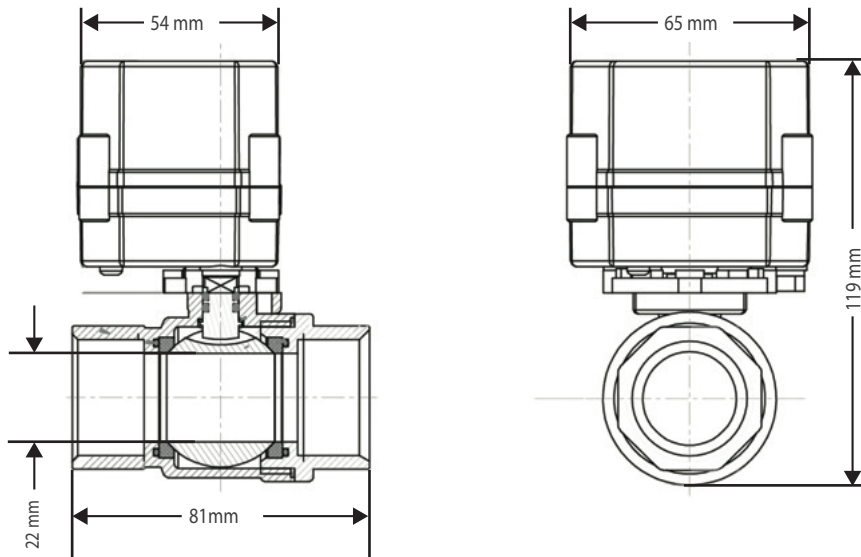
3555 Rosecrans St, STE 114-680
San Diego, CA 92110
tel: 1.619.300.2380
fax: 1.866.910.4799
Info@ehcotech.com

www.ehcotech.com

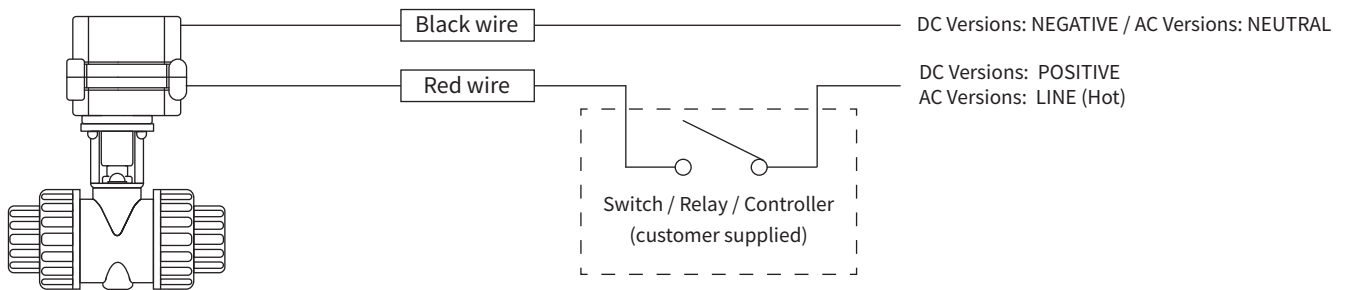
EHCOTECH
International Inc.

M21SV-1-C1CW / C2CW / E3CW Motorized Ball Valve

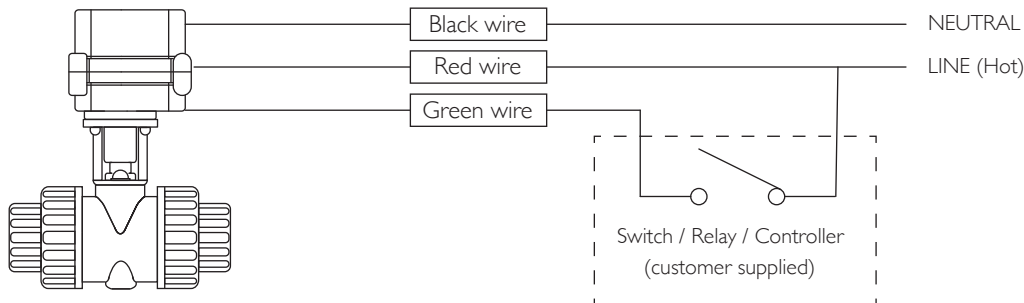
DIMENSIONS



WIRING - 2-WIRE VERSIONS WITH CAPACITOR RETURN



WIRING - 3-WIRE VERSIONS WITH NO CAPACITOR RETURN



3555 Rosecrans St, STE 114-680
San Diego, CA 92110
tel: 1.619.300.2380
fax: 1.866.910.4799
Info@ehcotech.com

www.ehcotech.com

EHCOTECH
International Inc.