

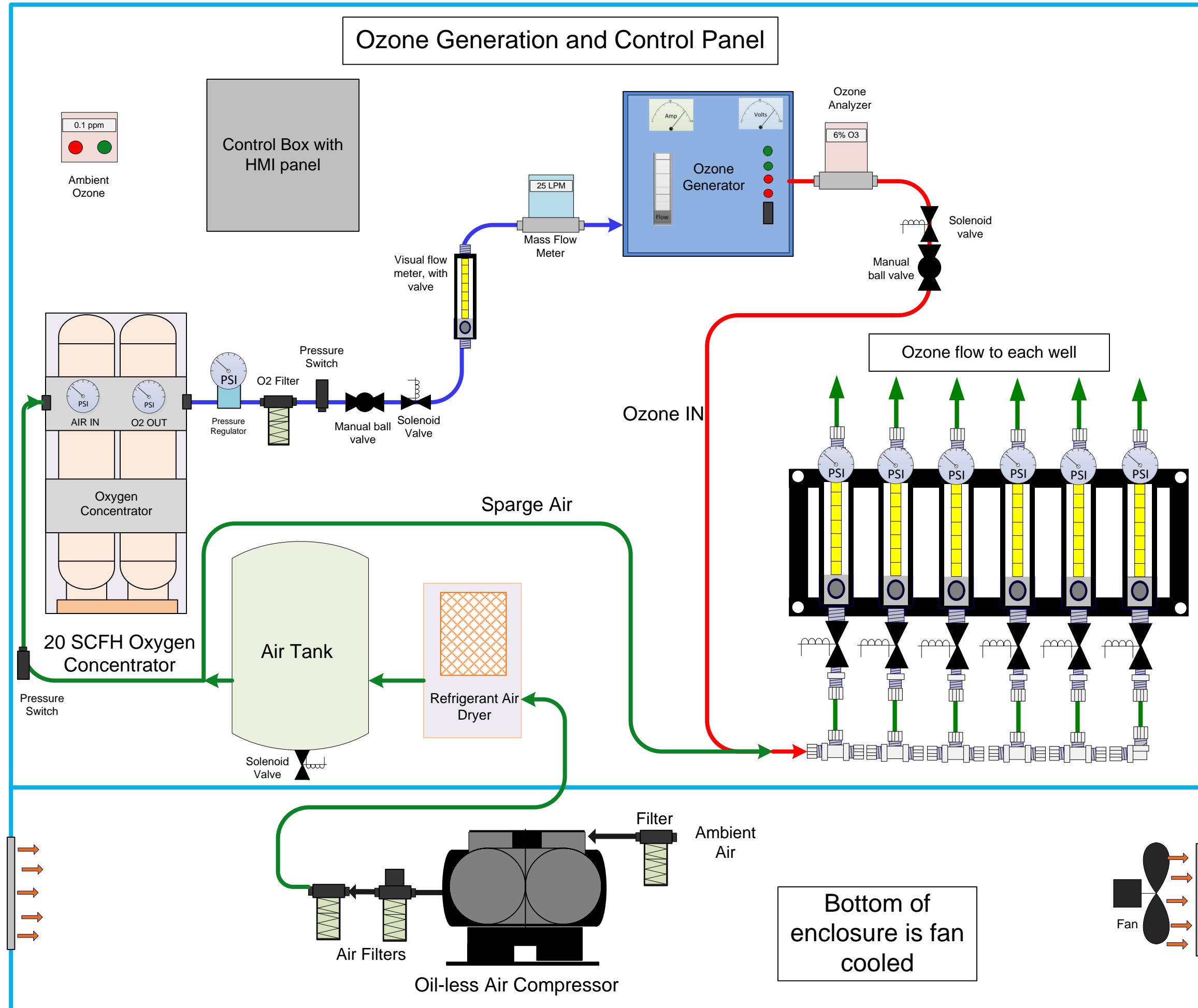
2 Ib/day Ozone Remediation System



System installed in one enclosure.

Top of enclosure is air conditioned and sealed from the outdoor environment.

Bottom of enclosure is fan cooled to keep compressor cool



Bottom of enclosure is fan cooled